



GS Industries of Bassett, Ltd.  
85 Rosemont Road - Bassett, VA 24055

**Base Spacers**

Part Number	Description	Standard Pack	Weight	Carton Dimensions	Cartons/ Skid	Cube per Carton
121-1	4X1 Base	175	32	25 3/4X21X11 1/2	24	3.6
125-1	4X2 Base	140	37	25 3/4X21X11 1/2	24	3.6
129-1	5X1 1/2 Base	120	37	25 3/4X21X14	20	4.4
131-1	5X2 Base	120	38	25 3/4X21X14	20	4.4
133-1	6X1 1/2 Base	100	31	25 3/4X21X14	20	4.4
135-1	6X2 Base	100	35	25 3/4X21X14	20	4.4
151-1	2X1 1/2 Base	250	29	25 3/4X21X9 3/4	28	3.1
153-1	2X2 Base	225	29	25 3/4X21X11 1/2	24	3.6
155-1	2X3 Base	225	30	25 3/4X21X14	20	4.4
157-1	3X1 1/2 Base	175	27	25 3/4X21X11 1/2	24	3.6
159-1	3X2 Base	155	26	25 3/4X21X11 1/2	24	3.6
161-1	3X3 Base	150	29	25 3/4X21X11 1/2	24	3.6
163-1	6X3 Base	95	33	25 3/4X21X14	20	4.4
186-1	4X1 1/2 Base	140	35	25 3/4X21X11 1/2	24	3.6
190-1	4X3 Base	120	36	25 3/4X21X11 1/2	24	3.6
192-1	5X3 Base	100	33	25 3/4X21X14	20	4.4
197-1	8X1 1/2 Base	50	25	25 3/4X21X14	20	4.4
199-1	8X2 Base	50	29	25 3/4X21X14	20	4.4
201-1	8X3 Base	50	29	25 3/4X21X14	24	4.4

**Intermediate Spacers**

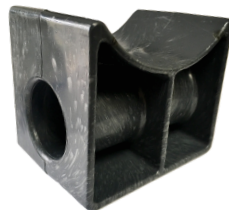
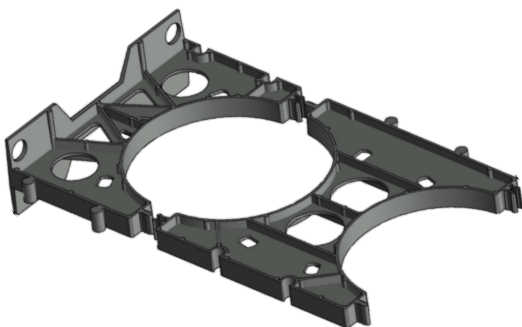
Part Number	Description	Standard Pack	Weight	Carton Dimensions	Cartons/ Skid	Cube per Carton
120-1	4X1 Intermediate	200	33	25 3/4X21X11 1/2	24	3.6
124-1	4X2 Intermediate	125	24	25 3/4X21X11 1/2	24	3.6
128-1	5X1 1/2 Intermediate	100	24	25 3/4X21X11 1/2	24	3.6
130-1	5X2 Intermediate	100	30	25 3/4X21X11 1/2	24	3.6
132-1	6X1 1/2 Intermediate	100	24	25 3/4X21X14	20	4.4
134-1	6X2 Intermediate	90	24	25 3/4X21X14	20	4.4
150-1	2X1 1/2 Intermediate	350	29	25 3/4X21X9 3/4	28	3.1
152-1	2X2 Intermediate	300	28	25 3/4X21X11 1/2	24	3.6
154-1	2X3 Intermediate	200	24	25 3/4X21X11 1/2	24	3.6
156-1	3X1 1/2 Intermediate	225	29	25 3/4X21X11 1/2	24	3.6
158-1	3X2 Intermediate	200	28	25 3/4X21X11 1/2	24	3.6
160-1	3X3 Intermediate	125	22	25 3/4X21X11 1/2	24	3.6
162-1	6X3 Intermediate	70	22	25 3/4X21X14	20	4.4
185-1	4X1 1/2 Intermediate	150	27	25 3/4X21X11 1/2	24	3.6
189-1	4X3 Intermediate	90	23	25 3/4X21X11 1/2	24	3.6
191-1	5X3 Intermediate	80	22	25 3/4X21X14	20	4.4
196-1	8X1 1/2 Intermediate	60	24	25 3/4X21X14	20	4.4
198-1	8X2 Intermediate	60	26	25 3/4X21X14	20	4.4
200-1	8X3 Intermediate	50	26	25 3/4X21X14	24	4.4

**Accessories**

Part Number	Description	Standard Pack	Weight	Carton Dimensions	Cartons/ Skid	Cube per Carton
119-1	1" Adapter	1000	7	12X12X12		1
145-1	4" Long Plug	100	20	25 3/4X21X11 1/2	20	3.6
65-1	4" Water Tight Plug	36	21	12X12X12		1
71-1	1" Dual Sizer	100	5	12X12X12		1
72-1	2" Dual Sizer	100	7	12X12X12		1
83-1	Cable Block	75	18	12x12x12		1
86-1	3 1/2" Internal Loc Copling	24	5	12X12X12		1
87-1	4" Internal Loc Coupling	24	5	12X12X12		1
89-1	1" Spacer Link	1200	36	12X12X12		1
90-1	2" Spacer Link	400	20	12X12X12		1
91-1	3" Spacer Link	212	13	12X12X12		1
92-1	2-3" Rebar Holder	100	5	12X12X12		1
93-1	4-8" Rebar Holder	100	5	12X12X12		1
94-1	2" Cap Strap	200	7	12X12X12		1
95-1	3" Cap Strap	200	9	12X12X12		1
96-1	4" Cap Strap	150	8	12X12X12	72	1
97-1	5" Cap Strap	100	7	12X12X12		1
98-1	6" Cap Strap	100	7	12X12X12		1

**Plugs**

Part Number	Description	Standard Pack	Weight	Carton Dimensions	Cartons/ Skid	Cube per Carton
139-1	2" Universal Plug	176	11	12X12X12		1
143-1	3" Universal Plug	200	36	25 3/4X21X11 1/2	20	3.6
140-1	4" Universal Plug	180	38	25 3/4X21X11 1/2	20	3.6
141-1	5" Universal Plug	100	27	25 3/4X21X11 1/2	20	3.6
142-1	6" Universal Plug	90	32	25 3/4X21X11 1/2	20	3.6
54-1	2" Regular Plug	100	10	12X12X12	20	1
55-1	3" Regular Plug	100	18	25 3/4X21X11 1/2	24	3.6
56-1	3 1/2" Regular Plug	100	20	25 3/4X21X11 1/2	24	3.6
57-1	4" Regular Plug	100	20	25 3/4X21X11 1/2	24	3.6
60-1	5" Regular Plug	80	25	25 3/4X21X11 1/2	24	3.6
61-1	6" Regular Plug	60	26	25 3/4X21X11 1/2	24	3.6





GS Industries of Bassett, Ltd.  
85 Rosemont Road - Bassett, VA 24055

INTERMEDIATE SPACERS 2-Ways															
1" SEP	Item#	Std Pack	Weight /Lbs	1 1/2" SEP.	Item#	Std Pack	Weight/ Lbs	2" SEP.	Item#	Std Pack	Weight/ Lbs	3" SEP	Item#	Std Pack	Weight/ Lbs
				2"	150-2	182	35	2"	152-2	160	33	2"	154-2	104	28
				3"	156-2	118	34	3"	158-2	96	30	3"	160-2	57	21
4"	120-2	80	30	4"	185-2	70	28	4"	124-2	60	27	4"	189-2	48	28
				5"	128-2	50	28	5"	130-2	50	30	5"	191-2	42	24
				6"	132-2	55	30	6"	134-2	56	28	6"	162-2	33	25
				8"	196-2	30	24	8"	198-2	30	26	8"	200-2	25	26

INTERMEDIATE SPACERS 3-Ways															
1" SEP	Item#	Std Pack	Weight /Lbs	1 1/2" SEP.	Item#	Std Pack	Weight/ Lbs	2" SEP.	Item#	Std Pack	Weight/ Lbs	3" SEP.	Item#	Std Pack	Weight/ Lbs
				2"	150-3	130	38	2"	152-3	94	29	2"	154-3	60	24
				3"	156-3	72	31	3"	158-3	78	36	3"	160-3	41	23
4"	120-3	54	30	4"	185-3	55	33	4"	124-3	40	27	4"	189-3	30	26
				5"	128-3	36	30	5"	130-3	40	36	5"	191-3	27	23
				6"	132-3	25	20	6"	134-3	60	62	6"	162-3	57	63
				8"	196-3	G	N/A	8"	198-3	90	140	8"	200-3	G	N/A

INTERMEDIATE SPACERS 4-Ways															
1" SEP	Item#	Std Pack	Weight /Lbs	1 1/2" SEP.	Item#	Std Pack	Weight/ Lbs	2" SEP.	Item#	Std Pack	Weight/ Lbs	3" SEP.	Item#	Std Pack	Weight/ Lbs
				2"	150-4	85	0	2"	152-4	75	31	2"	154-4	G	N/A
				3"	156-4	59	34	3"	158-4	42	26	3"	160-4	36	26
4"	120-4	45	34	4"	185-4	35	28	4"	124-4	36	32	4"	189-4	36	42
				5"	128-4	72	81	5"	130-4	65	78	5"	191-4	46	53
				6"	132-4	37	40	6"	134-4	37	51	6"	162-4	G	N/A
				8"	196-4	G	N/A	8"	198-4	70	113	8"	200-4	G	N/A

BASE SPACERS 2-Ways															
1" SEP	Item#	Std Pack	Weight /Lbs	1-1/2" SEP.	Item#	Std Pack	Weight/ Lbs	2" SEP.	Item#	Std Pack	Weight/ Lbs	3" SEP	Item#	Std Pack	Weight/ Lbs
				2"	151-2	120	30	2"	153-2	120	35	2"	155-2	126	39
				3"	157-2	90	52	3"	159-2	72	26	3"	161-2	60	26
4"	121-2	102	41	4"	186-2	80	45	4"	125-2	60	36	4"	190-2	56	37
				5"	129-2	60	40	5"	131-2	50	40	5"	192-2	52	40
				6"	133-2	50	33	6"	135-2	50	42	6"	163-2	48	38
				8"	197-2	25	10	8"	199-2			8"	201-2	G	N/A

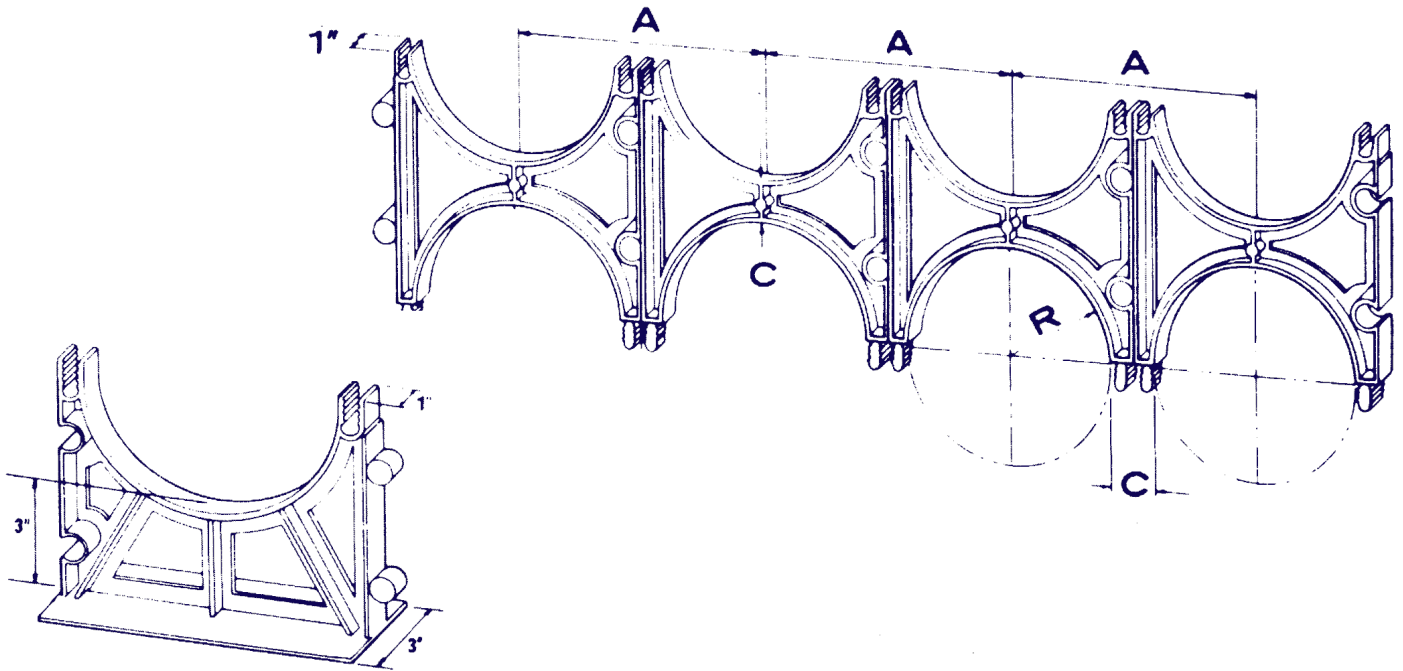
BASE SPACERS 3-Ways															
1" SEP	Item#	Std Pack	Weight /Lbs	1 1/2" SEP.	Item#	Std Pack	Weight/ Lbs	2" SEP.	Item#	Std Pack	Weight/ Lbs	3" SEP.	Item#	Std Pack	Weight/ Lbs
				2"	151-3	96	36	2"	153-3	70	31	2"	155-3	80	37
				3"	157-3	56	30	3"	159-3	54	29	3"	161-3	48	31
4"	121-3	64	39	4"	186-3	50	42	4"	125-3	50	45	4"	190-3	40	40
				5"	129-3	40	40	5"	131-3	30	36	5"	192-3	54	62
				6"	133-3	38	38	6"	135-3	50	63	6"	163-3	66	79
				8"	197-3	G	N/A	8"	199-3	72	125	8"	201-3	G	N/A

BASE SPACERS 4-Ways															
1" SEP	Item#	Std Pack	Weight /Lbs	1 1/2" SEP.	Item#	Std Pack	Weight/ Lbs	2" SEP.	Item#	Std Pack	Weight/ Lbs	3" SEP.	Item#	Std Pack	Weight/ Lbs
				2"	151-4	G	N/A	2"	153-4	75	44	2"	155-4	G	N/A
				3"	157-4	G	N/A	3"	159-4	38	27	3"	161-4	G	N/A
4"	121-4	46	37	4"	186-4	G	N/A	4"	125-4	38	46	4"	190-4	G	N/A
				5"	129-4	G	N/A	5"	131-4	60	96	5"	192-4	G	N/A
				6"	133-4	G	N/A	6"	135-4	38	64	6"	163-4	G	N/A
				8"	197-4	G	N/A	8"	199-4	70	124	8"	201-4	G	N/A

G = packed in qaylord, no standard pack, based on size of order



## Underground Products Intermediate and Base Spacer Dimensions



Base spacers provide a 3" separation between the bottom row of ducts and the trench floor, except for the 4" x 1" size which is 1 3/4" separation

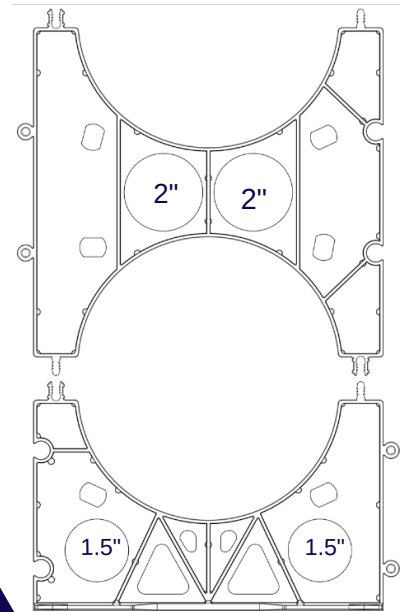
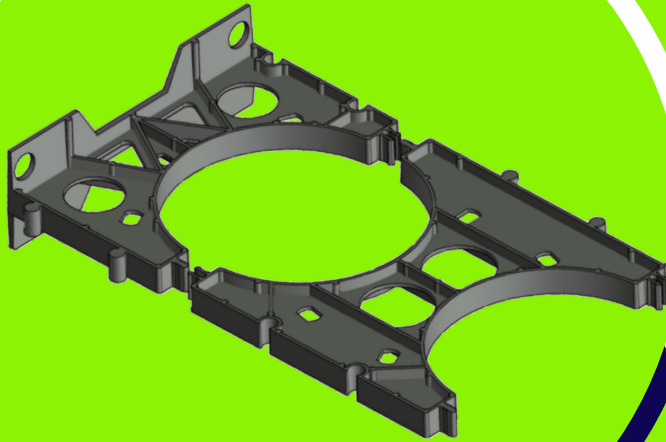
### Dimensional Data

Nominal Size	1" Separation			1 1/2" Separation			2" Separation			3" Separation		
	R	A	C	R	A	C	R	A	C	R	A	C
2"	Saddle Spacers Only			1.2	4.0	1.5	1.2	4.5	2.0	1.2	5.5	3.0
3"	Saddle Spacers Only			1.8	5.1	1.5	1.8	5.6	2.0	1.8	6.6	3.0
4"	2.3	5.6	1.0	2.3	6.1	1.5	2.3	6.6	2.0	2.3	7.6	3.0
5"	Saddle Spacers Only			2.9	7.3	1.5	2.9	7.9	2.0	2.9	8.9	3.0
6"				3.3	8.2	1.5	3.3	8.7	2.0	3.4	9.8	3.0
8"				4.3	10.2	1.5	4.3	10.7	2.0	4.3	11.7	3.0

# gsib

GS Industries of Bassett, Ltd.  
85 Rosemont Road - Bassett, VA 24055

## 8 X 3 SPACERS



The design includes the ability to hold 1.5" and 2" pipe within its interior.



Our 8" x 3" spacer has the ability to secure both a 1.5" pipe as well as a 2" pipe without the need to purchase any additional adaptors. The product is made with rugged, ultraviolet resistant material and contains snapping tabs to lock the pipe in place for easy assembly in the field.

[www.gsib.com](http://www.gsib.com) - 800-445-2192 - [smh@gsib.com](mailto:smh@gsib.com)

